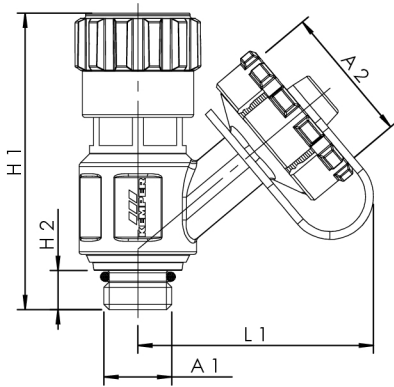


**Product Features**



- can be attached to all Kemper valves with test/drain-port
- rotatable hose connection element G 3/4 with cap and hanger
- wetted metal parts made from dezincification-free and corrosion-resistant gunmetal, resistant against aggressive water
- EPDM-seat gasket
- rotating and plug-in cap
- according to accepted materials list from German environmental agency
- ÜA-Reg.-Nr. R-15.2.3-21-17048, WIEN-ZERT
- max. operating temperature 110 °C



part no.	DN	for DN	for DN with flange valves	A1	A2	H1 (mm)	H2 (mm)	L1 (mm)	kg
J71091730000600	8	15-50	15-25	G 1/4	G 3/4	57	7,5	45	0,079
J71091730001000	10	65-150	32-150	G 3/8	G 3/4	63	6	45	0,103