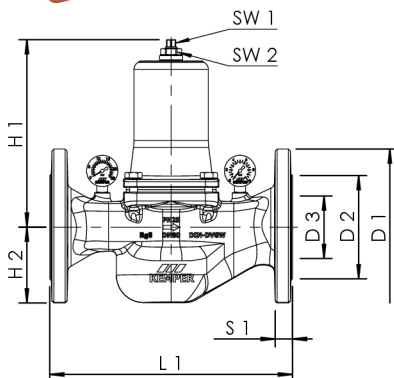


Product Features

- single-seated valve with balanced plug
- gunmetal housing, interior parts made of gunmetal and stainless steel
- full metal version
- easy to maintain
- outlet pressure adjustable on lockable knurl with pressure scale
- with stainless steel mesh at inlet
- flange connection
- for any installation position
- incl. manometer for inlet and outlet pressure

Standards and Approvals

- DVGW approval
- plastic parts with KTW and W 270 approval
- according to accepted materials list from German environmental agency
- DIN EN 1092 / EN 1567 / DIN EN 558-1



Technical Data

- pressure rating PN 25 (DN 80 only, DN 65: PN 16)
- max. operating temperature 90 °C
- min. outlet pressure 0.1 MPa
- max. outlet pressure 0.7 MPa
- factory setting 0.4 MPa

part no.	DN	bolt holes	D1 (mm)	D2 (mm)	D3 (mm)	H1 (mm)	H2 (mm)	L1 (mm)	S1 (mm)	SW1 (mm)	SW2 (mm)	cv (m ³ /h)	kg
7110006500	65	4	185	118	65	236	89	290	20	12	24	33	19,717
7110008000	80	8	200	132	80	237	97	310	22	12	24	43	21,201

accessory

- pressure sensor, figure 138 00 006
- backing ring for stub flange, figure 410 00
- stub flange, figure 425 00
- threaded flange, figure 426 00
- gasket, figure 428 00
- hexagonal bolt and nut, figure 429 M