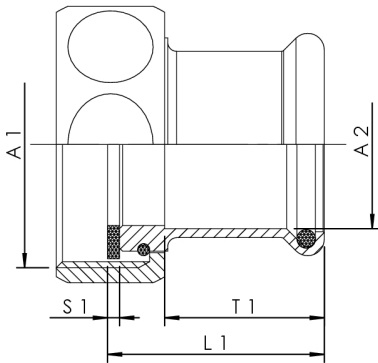




Product Features

- made of silicon bronze or gunmetal
- with coupling nut for flat sealing connection thread including EPDM gasket
- press connection for SANHA and NiroSan pipe
- according to accepted materials list from German environmental agency
- DIN EN 1213



part no.	DN	A1	A2 (mm)	L1 (mm)	S1 (mm)	T1 (mm)	kg
4763501500	15	G 3/4	15	26	2	18	0,06
4763501800	15	G 3/4	18	28	2	20	0,078
4763502000	20	G 1	22	33	2	24	0,101
4763502500	25	G 1 1/4	28	36	2	26,5	0,153
4763503200	32	G 1 1/2	35	41	2	32	0,184
4763504000	40	G 1 3/4	42	48	2	37,5	0,269
4763505000	50	G 2 3/8	54	54	2	42,5	0,429