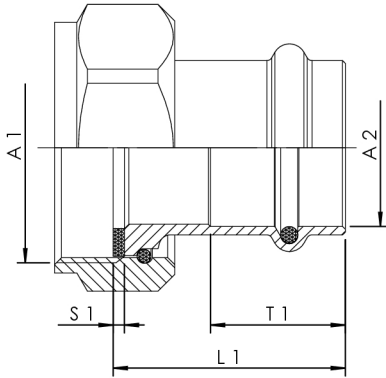


**Product Features**

- made of silicon bronze or gunmetal
- with coupling nut for flat sealing connection thread including EPDM gasket
- press connection for Viega SANPRESS SST pipe and PROFIPRESS copper pipe
- according to accepted materials list from German environmental agency
- DIN EN 1213
- ÚA-Reg.-Nr. R-15.2.3-21-17048, WIEN-ZERT



part no.	DN	A1	A2 (mm)	L1 (mm)	S1 (mm)	T1 (mm)	kg
4763001500	15	G 3/4	15	34	2	22	0,071
4763001800	15	G 3/4	18	36,5	2	22,5	0,076
4763002000	20	G 1	22	39	2	24	0,11
4763002500	25	G 1 1/4	28	41,5	2	24	0,164
4763003200	32	G 1 1/2	35	43,5	2	26	0,202
4763004000	40	G 1 3/4	42	58	2	36	0,349
4763005000	50	G 2 3/8	54	54	3	39,5	0,544
4763006500	65	G 3	76	97	3	54	1,663
4763008000	80	G 3 1/2	89	97	3	42	2,001