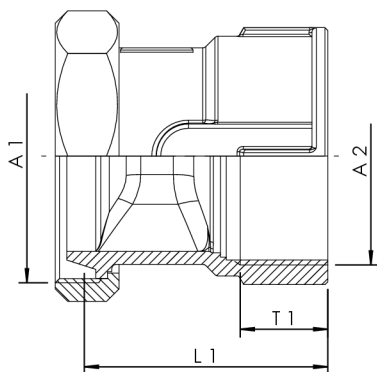


Product Features

- wetted metal parts made from dezincification-free and corrosion-resistant gunmetal, resistant against aggressive water
- with coupling nut for conical sealing connection thread
- according to accepted materials list from German environmental agency
- DIN EN 1213
- ÜA-Reg.-Nr. R-15.2.3-21-17048, WIEN-ZERT



part no.	DN	A1	A2	L1 (mm)	S1 (mm)	T1 (mm)	kg
4761206500	65	G 3	Rp 2 1/2	84	3	30,2	1,194
4761208000	80	G 3 1/2	Rp 3	94	3	33,3	1,799