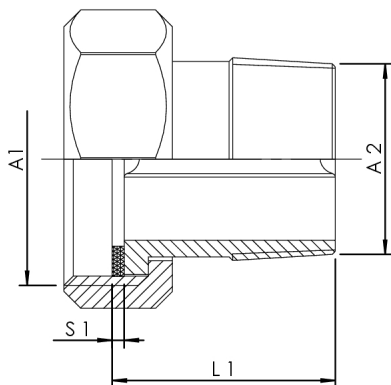


Product Features

- wetted metal parts made from dezincification-free and corrosion-resistant gunmetal, resistant against aggressive water
- with coupling nut for flat sealing connection thread including EPDM gasket
- according to accepted materials list from German environmental agency
- DIN EN 1213
- ÜA-Reg.-Nr. R-15.2.3-21-17048, WIEN-ZERT



part no.	DN	A1	A2	L1 (mm)	S1 (mm)	kg
4760801500	15	G 3/4	R 1/2	29,5	2	0,077
4760802000	20	G 1	R 3/4	33	2	0,115
4760802500	25	G 1 1/4	R 1	37	2	0,177
4760803200	32	G 1 1/2	R 1 1/4	41	2	0,218
4760804000	40	G 1 3/4	R 1 1/2	42	2	0,307
4760805000	50	G 2 3/8	R 2	53	3	0,536
4760806500	65	G 3	R 2 1/2	63	3	0,855
4760808000	80	G 3 1/2	R 3	68	3	1,285