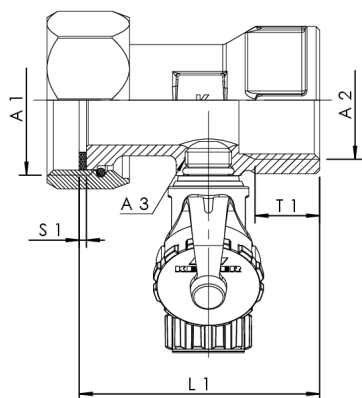




Product Features

- wetted metal parts made from dezincification-free and corrosion-resistant gunmetal, resistant against aggressive water
- with coupling nut for flat sealing connection thread including EPDM gasket
- according to accepted materials list from German environmental agency
- DIN EN 1213
- ÜA-Reg.-Nr. R-15.2.3-21-17048, WIEN-ZERT



part no.	DN	A1	A2	A3	L1 (mm)	S1 (mm)	T1 (mm)	kg
4760701500	15	G 3/4	Rp 1/2	G 1/4	57	2	15	0,204
4760702000	20	G 1	Rp 3/4	G 1/4	60	2	16,3	0,257
4760702500	25	G 1 1/4	Rp 1	G 1/4	67	2	19,1	0,365
4760703200	32	G 1 1/2	Rp 1 1/4	G 1/4	71	2	21,4	0,471
4760704000	40	G 1 3/4	Rp 1 1/2	G 1/4	72	2	21,4	0,565
4760705000	50	G 2 3/8	Rp 2	G 1/4	82	3	25,7	0,826