



Product Features

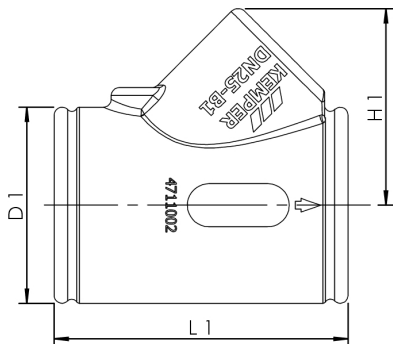
- for stop valves
- closed-cell foamed polyethylene, sound insulation
- simple installation using the insulation clips or diffusion-resistant lockable using standard adhesives
- not suitable for stop valve with flange connection

Standards and Approvals

- to meet the requirements of EnEV 2014
- building material class B1 according to DIN 4102
- CE marking

Technical Data

- min. operating temperature -40 °C
- max. operating temperature 90 °C



part no.	DN	D1 (mm)	H1 (mm)	L1 (mm)	kg
4711001500	15	70	76	125	0,017
4711002000	20	80	83	135	0,021
4711002500	25	100	103	150	0,031
4711003200	32	115	103	175	0,046
4711004000	40	130	124	200	0,058
4711005000	50	150	149	225	0,078