

Product Features

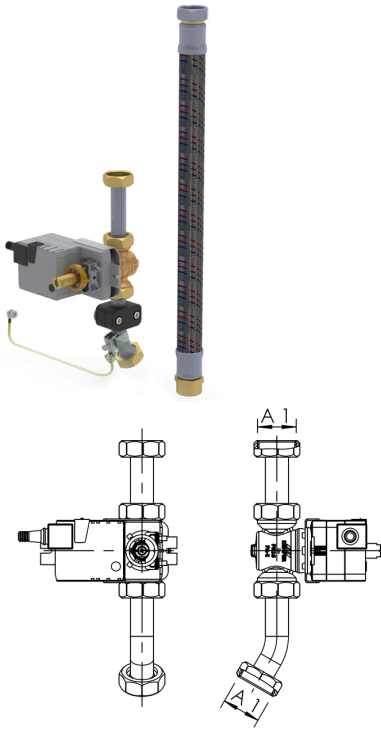
- Quarter turn stop valve with actuator and connection accessories
- pre-assembled
- wetted parts on the drinking water side made of gunmetal, stainless steel and drinking water approved plastics
- for connecting a rainwater utilisation unit to the FK-5 safety isolation station
- flexible connection to the pipeline with integrated connection set
- suitable as a second drinking water connection

Standards and Approvals

- isolating valve with DVGW approval
- plastic parts with KTW and W 270 approval
- soundproofing certification according to DIN EN ISO 3822 Class 1

Technical Data

- pressure rating PN 10
- max. operating temperature 50 °C



part no.	DN	A1	kg
3690102000	20	G 1	1,798
3690102500	25	G 1 1/4	2,228