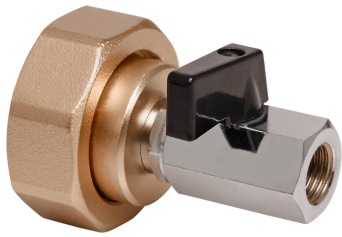
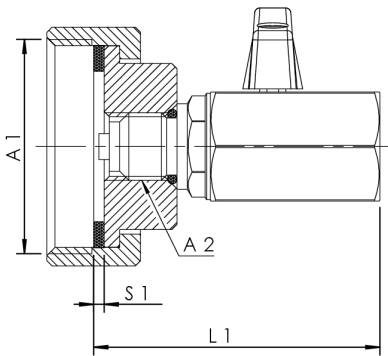


Product Features



- to test the function of FK-4 RPZ backflow preventer using the differential pressure measurement set (figure 360 99)
- according to accepted materials list from German environmental agency



part no.	for DN	A1	A2	L1 (mm)	S1 (mm)	kg
3670601500	10-15	G 3/4	G 1/4	55	2	0,164
3670602000	20	G 1	G 1/4	55	2	0,191
3670602500	25	G 1 1/4	G 1/4	55	2	0,256
3670605000	50	G 2	G 1/4	55	2	0,398