

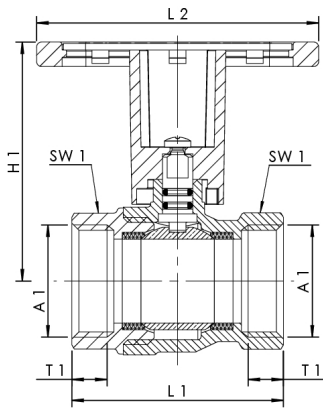


**Product Features**

- made of brass, nickel-plated
- for water, compressed air and oil (not suitable for aggressive medium, e.g. steam)
- including two identification plates (red "heating flow" and blue "heating return")
- hard chrome-plated brass ball with PTFE gasket
- full bore
- female pipe thread
- blow-out proof spindle
- DN 15 - DN 40 with T-handle, DN 50 with lever grip
- for any installation position and flow direction

**Technical Data**

- pressure rating PN 25
- max. operating temperature 100 °C



part no.	DN	A1	H1 (mm)	L1 (mm)	L2 (mm)	SW1 (mm)	T1 (mm)	kg
3510001500	15	Rp 1/2	66,5	46	84	25	10,4	0,204
3510002000	20	Rp 3/4	68	54	84	31	11	0,291
3510002500	25	Rp 1	71	63	84	38	12,5	0,41
3510003200	32	Rp 1 1/4	86	78	87	47	14,8	0,646
3510004000	40	Rp 1 1/2	91	88	87	53	15,8	0,924
3510005000	50	Rp 2	83	105	151	66	18	1,601

**accessory**

insulation shell for ball valve, figure 471 24