

**Product Features**

- to sample drinking water and determine microbiological parameters according to the German TrinkwV drinking-water regulation
- wetted metal parts made from dezincification-free and corrosion-resistant gunmetal, resistant against aggressive water
- sampling pipe can be disinfected by flame
- triangular key against unauthorised removal of water
- valve body and sampling pipe can be rotated 360°
- PTFE seat gasket
- can be attached to all Kemper valves with test/drain-port
- valve is operated with three-square socket wrench (included)
- free from dead spots
- for any installation position

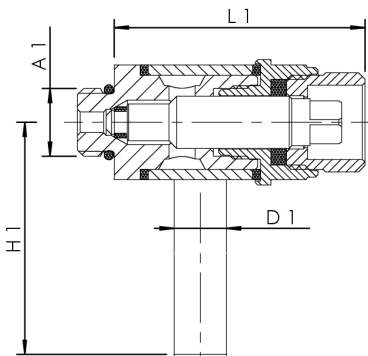


**Standards and Approvals**

- DVGW approval
- plastic parts with KTW and W 270 approval
- according to UBA valuation basis

**Technical Data**

- pressure rating PN 16
- max. operating temperature 90 °C



part no.	DN	for DN	for DN with flange valves	A1	D1 (mm)	H1 (mm)	L1 (mm)	kg
1870000600	8	15-50	15-25	G 1/4	10	125	48	0,225
1870001000	10	65-150	32-150	G 3/8	10	125	48	0,229