



Product Features

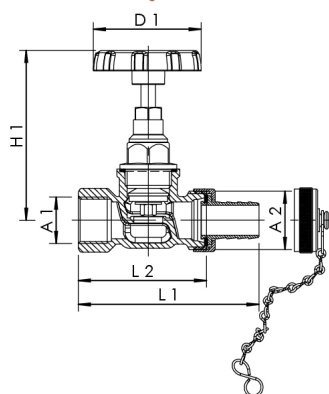
- wetted metal parts made from dezincification-free and corrosion-resistant gunmetal, resistant against aggressive water
- with suitability verification according to DIN 1988
- PTFE seat gasket
- maintenance-free EPDM spindle seal
- inlet female thread, outlet hose coupling with cap with chain
- with a black handwheel
- free from dead spots
- Open position indicator

Standards and Approvals

- according to DVGW regulations
- plastic parts with KTW and W 270 approval
- according to accepted materials list from German environmental agency
- according to DIN EN 1213
- ÜA-Reg.-Nr. R-15.2.3-21-17048, WIEN-ZERT

Technical Data

- pressure rating PN 16
- max. operating temperature 110 °C



part no.	DN	A1	A2	D1 (mm)	H1 (mm)	L1 (mm)	L2 (mm)	kg
1850701500	15	Rp 1/2	G 3/4	60	94	91	62	0,399
1850702000	20	Rp 3/4	G 1	60	96	104	72	0,582