

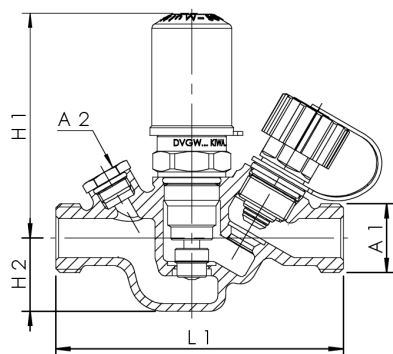


Product Features

- for hydraulic balancing of hot water return systems (PWH-C), supports thermal disinfection
- wetted metal parts made from dezincification-free and corrosion-resistant gunmetal, resistant against aggressive water
- isolating unit with temperature sensor pocket
- PTFE seat gasket
- thermostatic balancing unit
- male union thread
- with plugged drain port
- free from dead spots

Standards and Approvals

- DVGW approval
- ÖVGW approval
- SVGW approval
- WRAS approval
- KIWA approval
- plastic parts with KTW and W 270 approval
- for systems according to DVGW worksheet W 551 / W 553 / DIN 1988-300
- according to accepted materials list from German environmental agency
- ÜA-Reg.-Nr. R-15.2.3-21-17048, WIEN-ZERT



Technical Data

- control range 50 °C - 65 °C
- pressure rating PN 16
- max. operating temperature 90 °C

| part no. | DN | A1 | A2 | H1 (mm) | H2 (mm) | L1 (mm) | cv (m³/h) | kg |
|------------|----|---------|-------|---------|---------|---------|-----------|-------|
| 1410G01500 | 15 | G 3/4 | G 1/4 | 85 | 28 | 110 | 1,3 | 0,665 |
| 1410G02000 | 20 | G 1 | G 1/4 | 85 | 33 | 123 | 1,6 | 0,859 |
| 1410G02500 | 25 | G 1 1/4 | G 1/4 | 97,5 | 34 | 133 | 3,2 | 1,156 |

accessory

- gunmetal sampling valve, figure 187 00
- insulation shell for MULTI-THERM thermostatic balancing valve, figure 471 11
- drain valve made of gunmetal/plastic, figure J7109 173 00
- Pt 1000 temperature sensor, figure T5100 140 00
- dial thermometer, figure T5100 150 00
- gunmetal solder union connector, figure 476 04
- gunmetal union connector, union nut, FPT, figure 476 06
- gunmetal union connector, union nut, FPT, with drain valve, figure 476 07
- gunmetal union connector, union nut, MPT, figure 476 08
- solder / pressfit union connector, figure 476 14
- pressfit union connector, MAPRESS stainless steel and copper, figure 476 22
- pressfit union connector, SANPRESS and PROFIPRESS, figure 476 30
- pressfit union connector, SANHA and NiroSan, figure 476 35
- pressfit union connector, MEPLA, figure 476 40
- pressfit union connector, MAPRESS stainless steel, figure 476 20
- pressfit union connector, SANPRESS INOX, figure 476 70
- pressfit union connector for Viega RAXOFIX, figure 476 32