



### Product Features

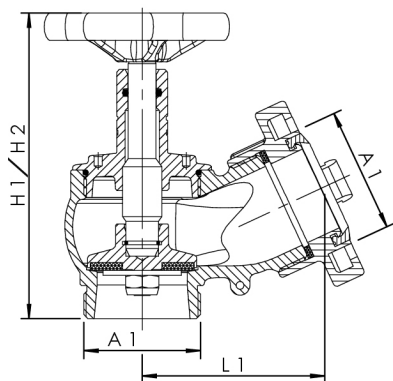
- wetted metal parts made of dezincification-free and corrosion-resistant gunmetal (in closed position), resistant against aggressive water
- for use at wet and dry fire fighting systems
- bonnet suitable for installation of a limit switch
- maintenance-free EPDM spindle seal
- EPDM-seat gasket
- cone rotatable, protected against water hammer
- inlet male thread, outlet aluminium C-coupling

### Standards and Approvals

- DIN 14461-3 / DIN 14462 / DIN 50930-6

### Technical Data

- pressure rating PN 16



part no.	DN	A1	D1 (mm)	H1 (mm)	H2 (mm)	L1 (mm)	Zeta	cv (m <sup>3</sup> /h)	kg
1120005000	50	G 2	95	156	173	93	3,9	55	2,139