



Product Features

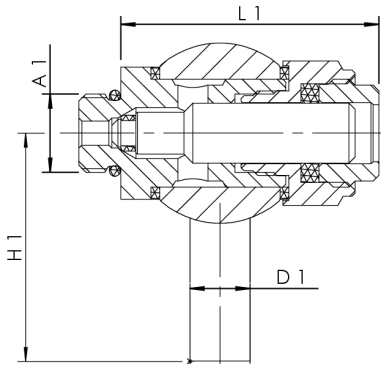
- to sample drinking water and determine microbiological parameters according to the German TrinkwV drinking-water regulation
- wetted parts made of stainless steel
- sampling pipe can be disinfected by flame
- valve body and sampling pipe can be rotated 360°
- can be attached to all Kemper valves with test/drain-port
- valve is operated with 5 mm allen key (not in package)
- free from dead spots
- for any installation position
- incl. Allen key

Standards and Approvals

- DVGW approval
- plastic parts with KTW and W 270 approval
- according to accepted materials list from German environmental agency

Technical Data

- pressure rating PN 16
- max. operating temperature 90 °C



part no.	DN	for DN	for DN with flange valves	A1	D1 (mm)	H1 (mm)	L1 (mm)	kg
0870000600	8	15-50	15-25	G 1/4	10	125	43	0,23
0870001000	10	65-150	32-150	G 3/8	10	125	43	0,237